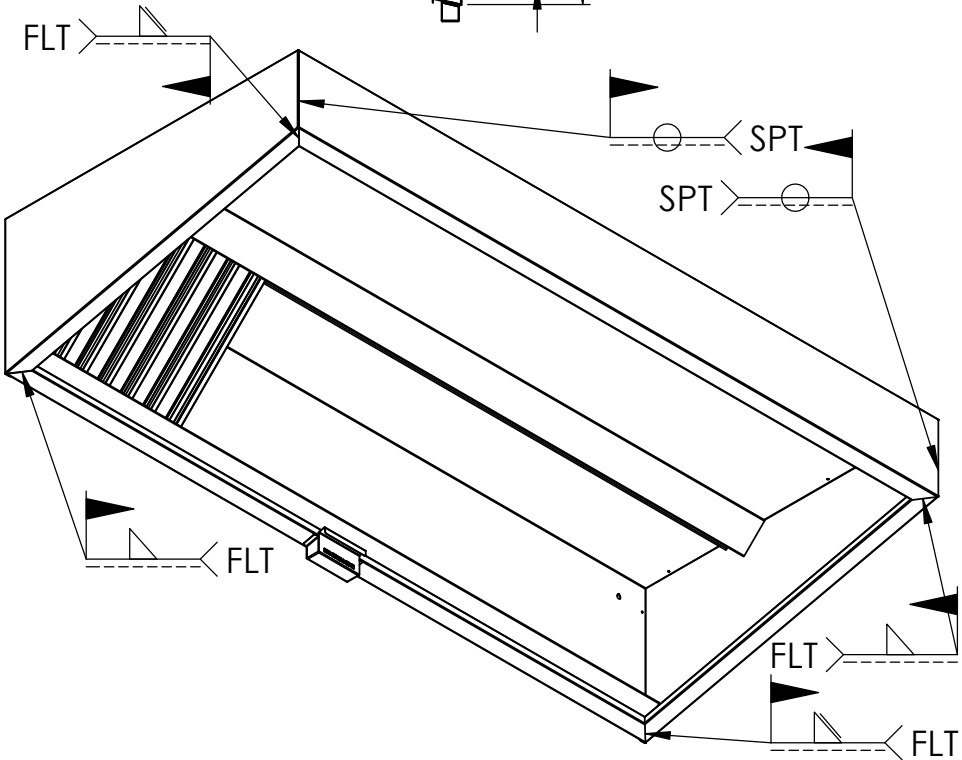
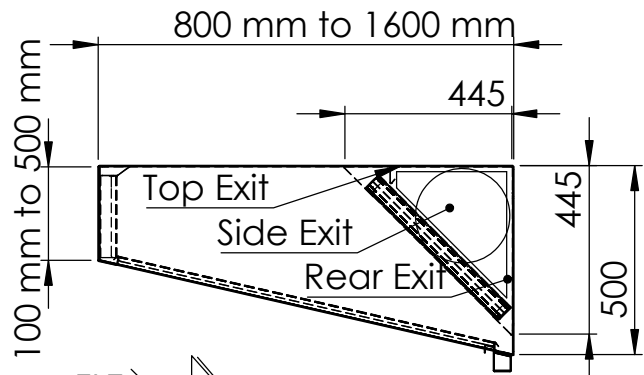
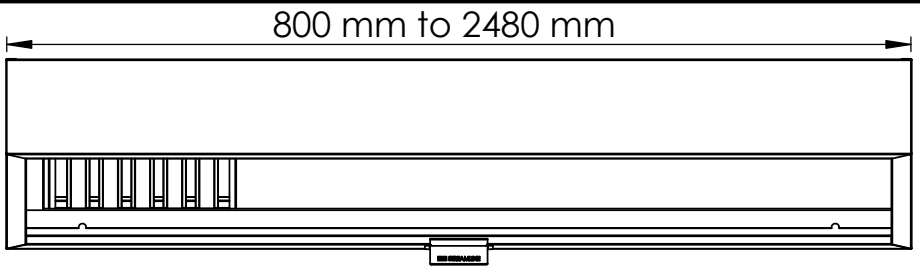
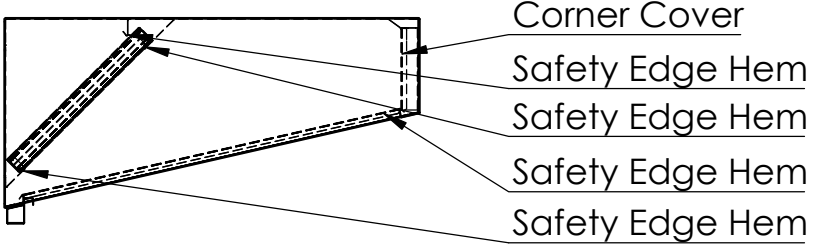


6 | 5 | 4 | 3 | 2 | 1



**Taper Wall Canopy Hood**

- Canopy Hood is built in accordance with UK building regulations PART F, B&ES DW/172, B&ES DW/144, HSE CAIS 10 & 23
- Standard Kitchen Canopy Hood is manufactured from 430 grade stainless steel, and 0.9mm thick
- All joints are laser welded, to reduce distortion and precipitation of inhibitors.
- All joints are fully sealed and liquid tight to ensure no leaks.
- Grease filters are standard 495mm x 495mm x 48mm achieving and exceeding a 0.5m<sup>3</sup>/s per filter and are non-clogging
- A full length grease collection channel runs the width of the hood.
- We can supply a drain valve - for easy cleaning and draining.
- We can supply a grease collection drawer.
- Canopy Hoods do not come with any spigot connection holes.

T: 0330 325 0377  
E: info@ecanopy.co.uk



TITLE:  
TAPER WALL CANOPY HOOD  
Length: 800mm to 2400mm  
Depth: 800mm to 1600mm  
Height: 100mm to 500mm

DWG NO. 24-3-10-R6DT A4

SCALE 1:20 SHEET 1 OF 1

6 | 5 | 4 | 3 | 2 | 1